



MAZDA BT-50

SPECIFICATIONS

MAZDA BT-50

GRADE OVERVIEW



GSX

2WD Wellside
4WD Wellside



GTX

2WD Wellside
4WD Wellside



Limited

4WD Wellside



Takami

4WD Wellside

MAZDA BT-50

EXTERIOR AND INTERIOR COLOURS



Concrete Grey Mica (47M)



Gun Blue Mica (47J)



Ice White (A7Y)



Rock Grey Mica (47H)



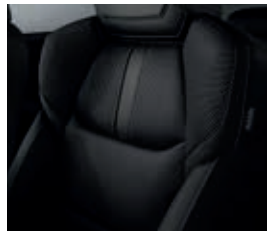
Red Volcano Mica (47F)



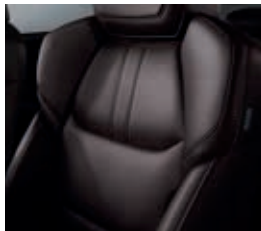
Ignor Silver Metallic (47N)



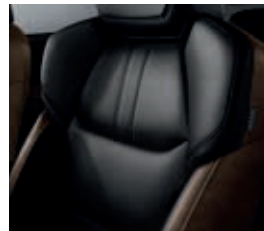
True Black Mica (47R)



Cloth, Black
GSX, GTX



Leather, Brown
Limited



Leather, Khaki
with black suede
Takami

MAZDA BT-50

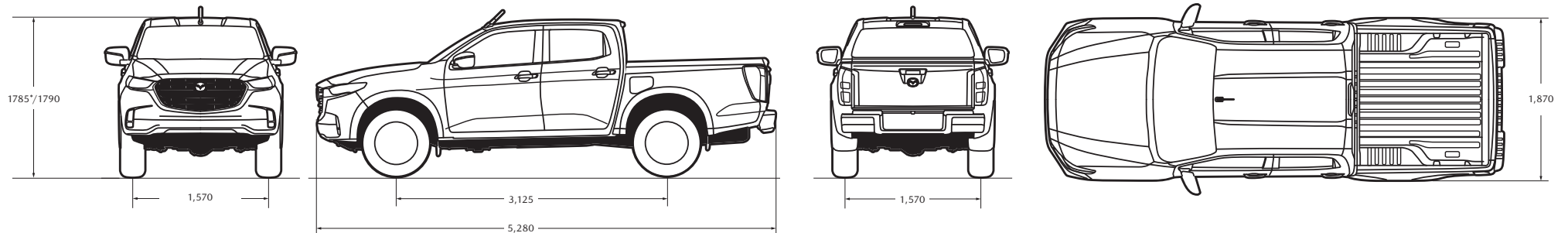
SPECIFICATIONS

MODEL		MAZDA BT-50	
Drivetrain type		2WD	4WD
Cabin type		Double Cab	Double Cab
DIMENSIONS & WEIGHTS			
Overall length	mm	5,280	5,280
Overall width (excluding mirrors)	mm	1,870	1,870
Overall height	mm	1,785* / 1,790	1,785* / 1,790
Wheelbase	mm	3,125	3,125
Track	Front/Rear	mm	1,570/1,570
Ground clearance	Laden / Unladen	mm	235* / 240
Turning circle	Kerb to kerb	m	12.5
Cargo-box length	At floor	mm	1,571
Cargo-box width	At floor / At top rail	mm	1,120 / 1,530
Cargo-box height		mm	490
Gross combined mass (GCM)		kg	5,850
Gross vehicle mass (GVM)		kg	3,000
Kerb weight - total		kg	1,850 (GSX) / 1,870 (GTX)
Kerb weight - rear		kg	815 (GSX) / 825 (GTX)
Payload		kg	1,150 (GSX) / 1,130 (GTX)
Wading depth		mm	800
Approach angle		°	30.0 (GSX) / 30.4 (GTX)
Departure angle		°	23.9 (GSX) / 24.2 (GTX)
Ramp breakover angle		°	23.3 (GSX) / 23.8 (GTX)
Towing capacity	Unbraked / Braked	kg	750 / 3,000
Tow-ball download maximum		kg	350

*With 17-inch wheels

**Subject to model grade

DIMENSIONS



The details and specifications described are subject to change without notice. Please consult your local Mazda dealer for exact information.

MAZDA BT-50

SPECIFICATIONS

MODEL		MAZDA BT-50	
Drivetrain type		2WD	4WD
Engine type		Diesel	Diesel
		RZ4E-MID	4J3-TCX
ENGINE			
Type		1.9 litre in-line 4 cylinder 16 valve DOHC intercooled turbo diesel	In-line 4 cylinder 16 valve DOHC intercooled turbo diesel
Displacement	cc	1,898	2,999
Compression ratio		16.5:1	16.3:1
Maximum power	kW/rpm	110/3,600	140/3,600
Maximum torque	Nm/rpm	350/1,800-2,600	450/1,600-2,600
Fuel injection		Common rail fuel injection system	Common rail fuel injection system
Recommended fuel type		Diesel	Diesel
Fuel tank capacity	l	76	76
Fuel consumption (l/100km)*	Combined NEDC	6.7 (7.8)	8.0 (9.2)
CO2 emissions (g/km)*	(3P-WLTP)	177 (205)	207 (238)
TRANSMISSION			
Type		6-speed automatic	6-speed automatic
Gear ratios	1st	3.600	3.600
	2nd	2.090	2.090
	3rd	1.488	1.488
	4th	1.000	1.000
	5th	0.687	0.687
	6th	0.580	0.580
	Reverse	3.732	3.732
Final gear ratio		4.100	3.727
STEERING			
Type		Rack and pinion	Rack and pinion
Power steering type		Hydraulic Power Assist Steering	Hydraulic Power Assist Steering
SUSPENSION			
Type	Front	Double wishbone	Double wishbone
	Rear	Leaf springs	Leaf springs
BRAKES			
Type	Front	Ventilated discs	Ventilated discs
	Rear	Drums	Drums
TYRES & WHEELS			
Tyre size		255/65R17 or 265/60R18**	255/65R17 or 265/60R18**
Wheel size		17 x 7.0J or 18 x 7.5J**	17 x 7.0J or 18 x 7.5J**
Spare wheel		Steel (full-size) or alloy (full-size)**	Steel (full-size) or alloy (full-size)**

**Subject to model grade.

*Mazda Fuel Consumption and Emissions figures are based on ADR 81/02 test results under the NEDC test programme. This data is useful in comparing the fuel consumption of different vehicles, however it may not be the fuel consumption achieved in practice. This will depend on traffic and road conditions, accessories fitted and how the vehicle is driven.

Please note that from December 2021 the NZTA has standardised the reporting of all Fuel Consumption and Emissions data based on 3-Phase WLTP, using a formula to convert NEDC to 3P-WLTP. This data will appear on websites such as Rightcar and Fuelsaver.

The details and specifications described are subject to change without notice. Please consult your local Mazda dealer for exact information.

MAZDA BT-50

EQUIPMENT

O: Standard Δ: Optional —: Not available

MODEL		MAZDA BT-50					
Drivetrain		2WD		4WD			
Engine		RZ4E-MID		4JJ3-TCX			
Grade		GSX	GTX	GSX	GTX	Limited	Takami
MECHANICAL							
Locking Rear Differential		—	—	O	O	O	O
EXTERIOR							
Tyres and wheels	255/65R17 with 17 x 7.0J alloy wheels (Silver metallic)	O	—	O	—	—	—
	265/60R18 with 18 x 7.5J alloy wheels (Black / machined)	—	O	—	O	O	—
	265/60R18 with 18 x 7.5J alloy wheels (Black metallic)	—	—	—	—	—	O
Headlamps	LED with High Beam Control (HBC) and auto on/off	O	O	O	O	O	O
	Daytime running lights	Halogen	LED	Halogen	LED	LED	LED
	Front fog-lights	—	LED	—	LED	LED	LED
Parking Aids	Parking sensors, rear	O	—	O	—	—	—
	Parking sensors, front and rear	—	O	—	O	O	O
	Reverse camera	O	O	O	O	O	O
Front grille	Black	O	—	O	—	—	—
	Silver	—	O	—	O	O	—
	Black metallic, gunmetal signature wing	—	—	—	—	—	O
Exterior features	Rear bumper in body colour	O	O	O	O	O	O
	Side steps	—	Silver	—	Silver	Silver	Grey
	Roof rails	—	—	—	—	—	Silver
	Cargo box with retractable roller lid and liner	—	—	—	—	—	O
	Gloss black sports hoop bar	—	—	—	—	—	O
	Gloss black fender flares	—	—	—	—	—	O
Exterior mirrors	Body coloured, power adjustment	O	—	O	—	—	—
	Body coloured, power adjustment, power folding	—	O	—	O	—	—
	Chrome, power adjustment, heated, power folding	—	—	—	—	O	—
	Gloss black, power adjustment, heated, power folding	—	—	—	—	—	O

MAZDA BT-50

EQUIPMENT

O: Standard Δ: Optional —: Not available

MODEL		MAZDA BT-50					
Drivetrain		2WD		4WD			
Engine		RZ4E-MID		4JJ3-TCX			
Grade		GSX	GTX	GSX	GTX	Limited	Takami
INTERIOR							
Rear view mirror	Auto dimming	—	O	—	O	O	O
Infotainment	AM/FM radio with Radio Data System (RDS)	O	O	O	O	O	O
	Bluetooth® hands-free phone and audio capability	O	O	O	O	O	O
	Audio system	4-speakers	6-speakers	6-speakers	6-speakers	8-speakers	8-speakers
	Infotainment screen	7-inch	9-inch	7-inch	9-inch	9-inch	9-inch
	Satellite navigation	—	O	—	O	O	O
	Apple CarPlay® & Android® Auto	O	O	O	O	O	O
Multi-information meter display	4.2-inch colour LCD Multi Information Display	O	O	O	O	O	O
Air conditioning	Manual with rear vents	O	—	O	—	—	—
	Dual zone climate control with rear vents	—	O	—	O	O	O
Steering wheel	Urethane	O	—	O	—	—	—
	Leather	—	O	—	O	O	O
SEATS							
Interior trim	Cloth	O	O	O	O	—	—
	Leather	—	—	—	—	O	—
	Leather / Synthetic suede	—	—	—	—	—	O
Seats (front)	Rake, slide, height adjust	Driver & passenger	Driver & passenger	Driver & passenger	Driver & passenger	Passenger	Passenger
	Rake, slide, height, tilt adjust	—	—	—	—	Driver	Driver
	Lumbar adjustment	—	Driver	—	Driver	Driver	Driver
	Power adjustment	—	—	—	—	8-way (driver)	8-way (driver)
	Heated	—	—	—	—	O	O
Seats (rear)	Centre fold down armrest (2nd row)	—	O	—	O	O	O
	Split fold base (2nd row)	—	60/40	—	60/40	60/40	60/40

MAZDA BT-50

EQUIPMENT

O: Standard Δ: Optional —: Not available

MODEL		MAZDA BT-50					
Drivetrain		2WD		4WD			
Engine		RZ4E-MID		4JJ3-TCX			
Grade		GSX	GTX	GSX	GTX	Limited	Takami
SAFETY†							
Auto Emergency Braking (AEB)		O	O	O	O	O	O
Airbags	Front (Driver & passenger); Side (front); Curtain (Front & rear); Knee (Driver); Far-side (Driver)	O	O	O	O	O	O
Attention Assist		O	O	O	O	O	O
Blind Spot Monitoring (BSM)		O	O	O	O	O	O
Child restraint anchor points	ISOFIX x2, top tether x2	O	O	O	O	O	O
Cruise Control	Adaptive Cruise Control (ACC) with Stop & Go	O	O	O	O	O	O
Dynamic Stability Control (DSC)		O	O	O	O	O	O
Emergency Lane Keeping (ELK)		O	O	O	O	O	O
Emergency Stop Signal (ESS)		O	O	O	O	O	O
Forward Collision Warning (FCW)		O	O	O	O	O	O
Hill Descent Control (HDC)		O	O	O	O	O	O
Hill Launch Assist (HLA)		O	O	O	O	O	O
Intelligent Speed Limiter (ISL)		O	O	O	O	O	O
Lane Departure Prevention (LDP)		O	O	O	O	O	O
Lane Departure Warning (LDW)		O	O	O	O	O	O
Lane-keep Assist System (LAS)		O	O	O	O	O	O
Rear Cross Traffic Alert (RCTA)		O	O	O	O	O	O
Roll Over Protection (ROP)		O	O	O	O	O	O
Secondary Collision Reduction (SCR)		O	O	O	O	O	O
Traction Control System (TCS)		O	O	O	O	O	O
Traffic Sign Recognition (TSR)		O	O	O	O	O	O
Trailer Stability Assist (TSA)		O	O	O	O	O	O
Turn Assist		O	O	O	O	O	O
Tyre Pressure Monitoring System		—	O	—	O	O	O

† Driver assist technology only and should not be used in place of skilled and safe driving practices. It is the driver's sole responsibility to monitor vehicle surroundings and conditions and comply with all applicable laws at all times.

MAZDA BT-50

PAYLOAD AND TOWING CALCULATOR



STATEMENT OF PURPOSE

The Payload and Towing Calculator has been provided to promote safe operation of your Mazda BT-50. Its objective is to ensure the aspects of load capacity and weight distribution fall within safe limits. Please use this calculator as a general guide only.

Note: To reduce complexity with this tool, we have not included calculations for Front Axle Loading. For general use situations, Front Axle Capacity is not likely to be exceeded. However, for specific requirements or unique applications, please consult your Mazda Dealer.

GLOSSARY

Gross Combined Mass (GCM):

The maximum total combined weight of a vehicle including its cargo, occupants, accessories and any towed mass.

Trailer Mass:

The total weight of a trailer and its load, including the towball download.

Gross Vehicle Mass (GVM):

The maximum weight of a vehicle, including all accessories, body construction, occupants and cargo.

Kerb Weight:

The unladen weight of the vehicle, (less occupants, tray/body and accessories), including fuel.

Towball Download:

The downward load that is applied to the tow coupling when a trailer is attached (this load is part of the Trailer Mass).

Vehicle Accessories:

Any attachment/device that has been added to the vehicle after it was manufactured (e.g. tray, sports bar, canopy etc.).

Rear Axle Capacity:

The maximum total weight the rear axle can carry, including the unladen weight of the axle.

Provisional Payload:

This is the INTERIM calculated payload weight, without taking load distribution into account.

Permissible Payload:

This is the FINAL payload figure, with weight distribution (i.e. rear axle capacity) accounted for.

MAZDA BT-50

		Ⓐ Example Worksheet	Ⓑ Your Worksheet
BT-50 MODEL:		4x4 Double Cab Wellside GSX 6AT	
SECTION A			
Gross Combined Mass (GCM)		a) 5,950kg	a) 5,500kg (4x2) or 5,950kg (4x4)
SECTION B TRAILER			
MINUS:	Trailer Mass (If towing; otherwise enter "0")	b) 2,000kg	b) kg
EQUALS:	Residual Mass	c) 3,950kg	c) kg
		[c] = [a] - [b]	
SECTION C GVM			
Gross Vehicle Mass (GVM)		d) 3,100kg	d) 3,000kg (4x2) or 3,100kg (4x4)
LESSER VALUE OF:	Residual Mass [c] OR GVM [d]	e) 3,100kg	e) kg
		[e] = lesser value of [c] or [d]	
SECTION D KERB WEIGHT			
MINUS:	Kerb Weight	f) 2,015kg	f) kg
EQUALS:		g) 1,085kg	g) kg
		[g] = [e] - [f]	
SECTION E TOWBALL DOWNLOAD			
Maximum Towball Download		h) 350kg	h) 350kg
Actual Towball Download (If towing; otherwise enter "0")		i) 150kg	i) kg
LESSER VALUE OF:	Maximum Towball Download [h] OR Actual Towball Download [i]	j) 150kg	j) kg
		[j] = lesser value of [h] or [i]	
EQUALS:		k) 935kg	k) kg
		[k] = [g] - [j]	

INSTRUCTIONS

- To calculate PERMISSIBLE payload for your needs in column Ⓑ, use example in column Ⓐ as a guide.
- Please work through sections A–H in sequence.
- Model-specific weights and capacities data for elements f) and p) can be found on page 4.
- Provisional Payload is calculated by deducting fixed and variable weights from the Gross Combined Mass (GCM) or Gross Vehicle Mass (GVM) figures (where appropriate).
- Permissible (final) Payload is then confirmed once w Provisional Payload against the eight distribution is calculated, by checking the maximum Rear Axle Capacity.
- For specific requirements, please consult your Mazda Dealer.

MAZDA BT-50

		Ⓐ Example Worksheet	Ⓑ Your Worksheet
BT-50 MODEL:		4x4 Double Cab Wellside GSX 6AT	
SECTION F	ACCESSORIES / OCCUPANTS		
MINUS:	Vehicle Accessories (e.g. Tray, Canopy, Sports Bar etc)	l) 300kg	l) kg
	Occupants/Luggage/Tools etc	m) 200kg	m) kg
EQUALS:	Provisional Payload	n) 435kg	n) kg
		$[n] = [k] - [l] - [m]$	
SECTION G	REAR AXLE PAYLOAD		
	Maximum Rear Axle Capacity	o) 1,910kg	o) 1,910kg
MINUS:	Kerb Weight (Rear Axle)	p) 825kg	p) kg
EQUALS:		q) 1,085kg	q) kg
		$[q] = [o] - [p]$	
MINUS:	Towball Download [j]	j) 150kg	j) kg
	Vehicle Accessories [l]	l) 300kg	l) kg
EQUALS:	Maximum Rear Axle Payload	r) 635kg	r) kg
		$[r] = [q] - [j] - [l]$	
SECTION H	FINAL PAYLOAD CONFIRMATION		
Lesser value of:	Maximum Rear Axle Payload [r] OR	r) 635kg	r) kg
	Provisional Payload [n]	n) 435kg	n) kg
EQUALS:	Permissible Payload	s) 435kg	s) kg
		$[s] = \text{lesser value of } [n] \text{ or } [r]$	

INSTRUCTIONS

- To calculate PERMISSABLE payload for your needs in column Ⓑ, use example in column Ⓐ as a guide.
- Please work through sections A–H in sequence.
- Model-specific weights and capacities data for elements f) and p) can be found on page 4.
- Provisional Payload is calculated by deducting fixed and variable weights from the Gross Combined Mass (GCM) or Gross Vehicle Mass (GVM) figures (where appropriate).
- Permissible (final) Payload is then confirmed once weight distribution is calculated, by checking the Provisional Payload against the maximum Rear Axle Capacity.
- For specific requirements, please consult your Mazda Dealer.

MAZDACARE

Mazdacare* is a comprehensive programme designed to make owning your New Mazda BT-50 as carefree as possible.



**5
YEAR** **FIXED
PRICE
SERVICING**

5 YEAR/150,000 KILOMETRE SERVICING FOR ONLY \$250 PER SERVICE[^]

Your New Mazda BT-50 includes 5 years or 150,000km (whichever occurs first) of Mazdacare Genuine Mazda Fixed Price Servicing for only \$250 (inc. GST) per service. Each service is carried out by a Mazda factory-trained Service Specialist using the latest in vehicle diagnostic equipment and Mazda Genuine parts and lubricants, to help maintain optimum driving performance and protect your investment.

**5
YEAR** **150,000
KILOMETRE
WARRANTY**

5 YEAR/150,000 KILOMETRE NEW VEHICLE WARRANTY[†]

The quality built into your New Mazda BT-50 is backed by a 5 year, 150,000 kilometre (whichever occurs first) comprehensive manufacturer's warranty.

- 5 year/150,000 kilometre Comprehensive New Vehicle Warranty.
- 5 year/150,000 kilometre Corrosion and Anti-Perforation Warranty.

**5
YEAR** **MAZDA ON CALL
ROADSIDE
ASSISTANCE**

5 YEAR/UNLIMITED KILOMETRE MAZDA ON CALL ROADSIDE ASSISTANCE

Included in your Mazdacare cover is the back-up and motoring support offered through Mazda On Call. Whether it's a flat battery, keys locked in vehicle, accident support or a flat tyre, we've got you covered, anywhere, day or night, any time of the year. Our support centres are ready to help with any advice you may need. Call 0800 800 626.

*Your Mazdacare support programme is effective from the date of first registration.

[^]Mazda New Zealand's \$250 fixed price routine service schedule includes parts, lubricants and labour for the duration of the programme when the service is performed by an authorised Mazda Dealer.

[†]Visit mazda.co.nz/mazdacare to see full disclosure of items covered by the 5 year/150,000 km Mazda BT-50 Vehicle Warranty.

For more information on Mazdacare, go to mazda.co.nz/mazdacare



All care is taken to ensure the accuracy of this brochure at the time of publication. Specifications, features and model availability may vary from Dealer to Dealer and may change without notice. Please refer to mazda.co.nz or consult your Mazda Dealer prior to placing an order to ascertain current information on model availability, specification, options, features and prices. Mazda Motors of New Zealand Limited will not be liable for any loss arising from the information in this brochure, whether in negligence or otherwise. Mazda Motors of New Zealand Limited, PO Box 132057, Sylvia Park, Auckland 1644.

www.mazda.co.nz
January 2023
MZ4900679